

11ac 1200Mbps Wave2 Ceiling Wireless AP

Model: G-AP-LITE-48



Description:

This is an 11ac Wi-Fi standard Qualcomm Chipset high power industrial Ceiling Wireless Access Point support Wave2 , combined 1200Mbps Wi-Fi speed over 2.4GHz(300Mbps) and 5GHz(900Mbps), equipped Gigabit WAN & LAN port, fast Ethernet data rate make more than 100 end users can access into the device with faster Ethernet, make them to enjoy seamless HD movies, streaming, online gaming, wireless security and other bandwidth-intensive tasks, widely be used in school, hospital, hotel, office, shopping mall...

High Power for more range and stable signal

Designed in two line Power Amplifier on PCB board, the power can be 500mW high power, 5dBi MIMO high gain antenna, together with Ceiling mount, greatly increase the wireless range and supply the stable Wi-Fi signal for users.

Wave 2 Technology

With Wave 2 Technology, it adopt 256QAM modulation, support MU-MIMO (Multi-User Multiple-Input Multiple-Output), 4 Spatial Streams, greatly to improved the communication efficiency.

Power over Ethernet

It has integrated IEEE802.3at Power over Ethernet (PoE), for easy installation and lower cost. So it can be installed in areas where power outlets are not readily available, eliminating the mess of altering



existing network infrastructure.

Seamless roaming and 5G prior

It supports fast seamless roaming, users can switch to the wireless AP which with strong signal for stable performance. What's more, it support 5G prior, user can connect to more broadband 5.8G networking for fast Ethernet.

Access Controller System & Cloud Management System

With Access Control System, easily access advanced network settings through PC, like AP status monitor, change IP address, ESSID, Channel, Password, upgrade firmware, backup and restore....

Then work with Cloud Management System, easy to do central and remote management, advertisement and multiple captive portal authentication make this AP more professional in Wi-Fi Projects.

Main Features:

- Comply with IEEE 802.11ac/b/g/n, dual band, 1200Mbps Data Rate
- 1 10/100/1000Mbps WAN Port, 1 10/100/1000Mbps LAN Port, faster Ethernet.
- 500mW high power, build in 5dBi MIMO antenna, stronger signal strength, more wireless coverage, 16M Flash, 128M DDR2 RAM, more user, more stable
- Support active IEEE 802.3at 48V PoE standard
- Support SSID broadcasting, Multi SSID up to 8 (4 SSID in 2.4GHz, 4 SSID in 5GHz)
- Support Gateway (PPPOE, static IP, dynamic IP) , Wireless AP, Repeater, WISP operation mode, suit for more application scenarios.
- With function of build in firewall, IP filter, URL filter and MAC filter
- Comply with IEEE 802.3az standard, RF power adjustment, auto channel, and channel analyzer for better application in different environment
- Support 5G prior, seamless roaming
- Support 64/128-bit WEP security, EAP, 128bit WPA (TKIP/AES) security

Product Spec.:

Hardware:	
Chipset	Qualcomm QCA9563 + QCA9886 +QCA8334
Standard	802.11ac/b/g/n, MIMO technology
DDR	128MB
Flash	16MB
Interface	1 * 10/100 /1000Mbps RJ45 WAN Port
	1 * 10/100 / 1000Mbps RJ45 LAN Port
	1 * Reset button, press 15 seconds to revert to default setting
Antenna	Build in 5dBi MIMO Antenna
DC	12V 1.5A



High Power Ceiling Wireless AP

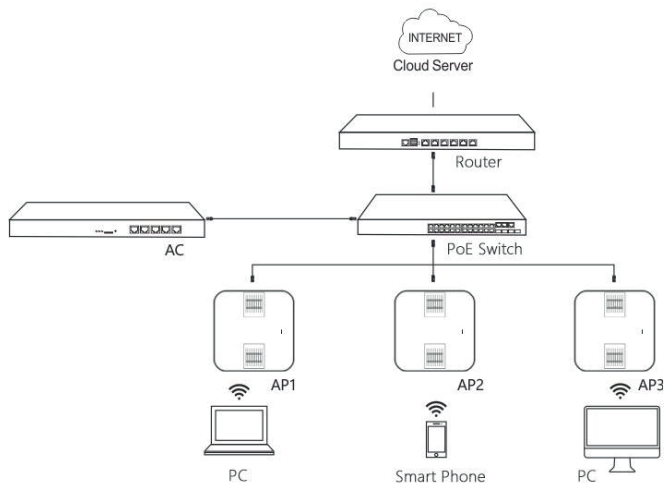
POE (WAN)	48V 0.5A				
Power consumption	<15W				
LED indicator	WAN, LAN, Sys, 2.4G_WiFi, 5G_WiFi.				
Size	198mm * 198mm * 32mm				
Weight					
RF Data					
Frequency	2.4G:802.11b/g/n: 2.4GHz - 2.484GHz,				
	5GHz:802.11a/n/ac: 5.150GHz~5.850GHz				
Country code	FCC, IC, ETSI, MKK, MKK1, MKK2, MKK3, NCC, RUSSIAN, CN				
Modulation	OFDM = BPSK,QPSK, 16-QAM, 64-QAM, 128-QAM, 256-QAM				
	DSSS = DBPSK, DQPSK, CCK				
Throughput	1200Mbps				
2.4G RF Power	802.11b	11M	24±2dBm	1M	26±2dBm
	802.11g	54M	23±2dBm	6M	25±2dBm
	802.11n HT20	MCS7	22±2dBm	MCS0	24±2dBm
	802.11n HT40	MCS7	22±2dBm	MCS0	24±2dBm
5G RF Power	802.11a	54M	21±2dBm	6M	24±2dBm
	802.11n HT20	MCS7	21±2dBm	MCS0	24±2dBm
	802.11n HT40	MCS7	20±2dBm	MCS0	23±2dBm
	802.11ac HT80	MCS9	19±2dBm	MCS0	22±2dBm
2.4G Receive Sensitivity	802.11b	11M	-85dBm	1M	-94dBm
	802.11g	54M	-72dBm	6M	-90dBm
	802.11n HT20	MCS7	-70dBm	MCS0	-88dBm
	802.11n HT40	MCS7	-68dBm	MCS0	-86dBm
5G Receive Sensitivity	802.11a	54M	-72dBm	6M	-90dBm
	802.11n HT20	MCS7	-70dBm	MCS0	-88dBm
	802.11n HT40	MCS7	-68dBm	MCS0	-86dBm
	802.11ac HT80	MCS9	-58dBm	MCS0	-85dBm
EVM	2.4G: 802.11b: ≤-10 dB; 802.11g: ≤-25 dB; 802.11n: ≤-28 dB 5G: 802.11a: ≤-25dB; 802.11n: ≤-28 dB; 802.11ac: ≤-32 dB				
PPM	±20ppm				
Max Users	128+				
Firmware Features:					
Operation mode	Wireless AP, Gateway, WISP, WiFi Repeater				
WAN Type	Dynamic IP/Static IP/PPPoE/L2TP(Dual Access) /PPTP(Dual Access)				
Wireless Security	64/128-bit WEP, WPA / WPA2, WPA-PSK/ WPA2-PSK encryption				
SSID	Multiple SSID (4 SSID for 2.4G, 4 SSID for 5.8G)				
Firewall	DoS, SPI Firewall, IP Address Filter/MAC Address Filter/Domain Filter IP and MAC Address Binding				
Protocols	IPv4				
Others:					



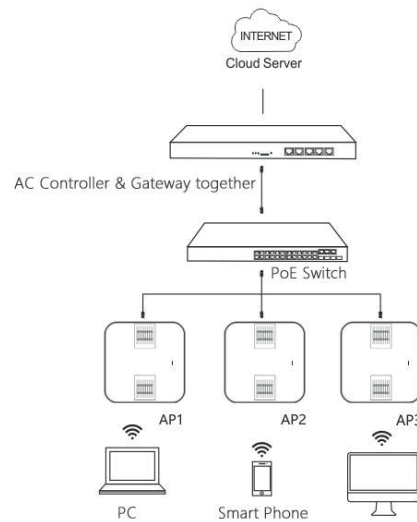
High Power Ceiling Wireless AP

Package Contents	1200Mbps Dual Band wireless access point Ethernet Cable Quick Installation Guide Setting Accessory
Environment	Operating Temperature: -30~55 °C Storage Temperature: -40~70 °C Humidity: 5%~95% non-condensing
Management	Firmware GUI , Remote Management, WLAN Controller, Cloud Management System

Working Diagram



Connection Diagram 1



Connection Diagram 2